

Test stand

HV-500NII series

Manual Test Stand



(Force gauge and speed/length meter are sold separately.)

[Applications]

- Various material testing up to 500N
(measuring of tensile strength, compressive strength, shearing strength and etc).
- Analysis of mechanical parts for break point and free fit.

[Feature]

- Stable measuring by feed screw features with small step of the travel length.
- Operation efficiency is excellent due to its spacious design.
- Best price testing tool with light-weight and small size.
- Optional scale unit implements scaling its travel length.

[HV-1000N series models]

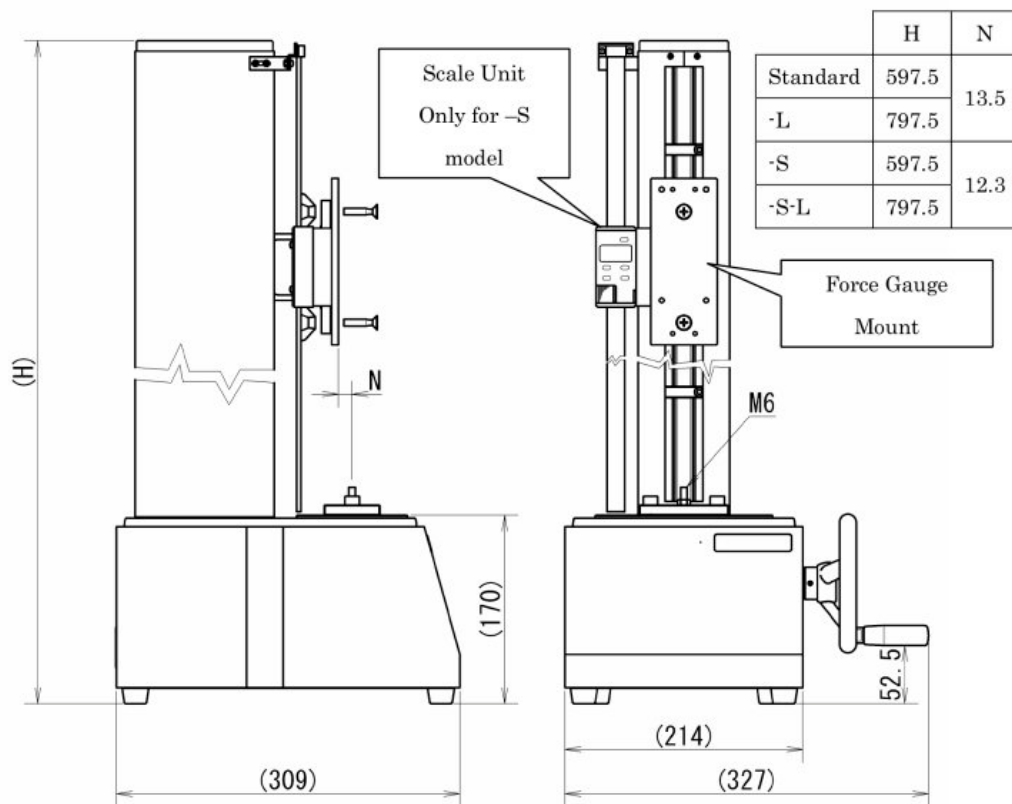
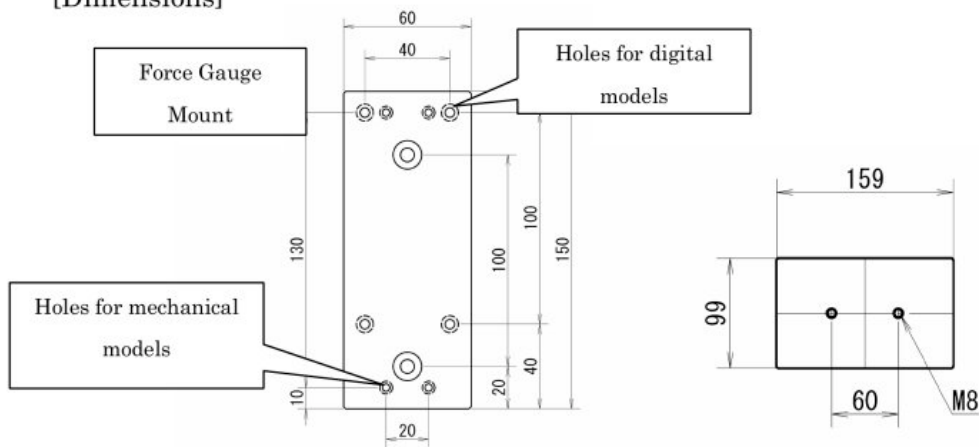
Model	Capacity	Scale unit
HV-500NII	500N	-
HV-500NII-S		Yes
HV-500NII-L	200N	-
HV-500NII-S-L		Yes

[HV-1000N series specifications]

Model	HV-500NII series
Capacity	500N
Stroke	Approx. 288 / 488 mm
Feeding method	Feed screw with 3mm lead
Travel	2 mm / every complete turn of hand wheel
Table	150 x 100 mm, Stainless plate
Force gauge	Imada mechanical / digital force gauge High capacity models such as ZPH or PSH are not suitable
Dimensions	See dimensions
Wight	Approx. 10 kg
Accessories	Grip mount GF-1(with M6 thread)
Scale unit (option *)	Resolution: 0.01mm Zero / Origin

* Factory built only

[Dimensions]



[Note]

- Force gauge is not included with this test stand.
- Various optional attachments are available.
- Please do not apply the load exceeding force of capacity.
- Please avoid rapid temperature change, high humidity, the water, the dust, and the strong shock.
- It may change without a preliminary announcement for improvement etc.